

TURBO SLIDE

THE INNOVATIVE TIP-UP PLATE

Not only for wheelchair users

The innovative transfer-plate designed to help people with reduced mobility getting in and out of the vehicle.

TURBO SLIDE is suitable also for people with slightly reduced mobility, reducing the effort necessary to get in and out the car.

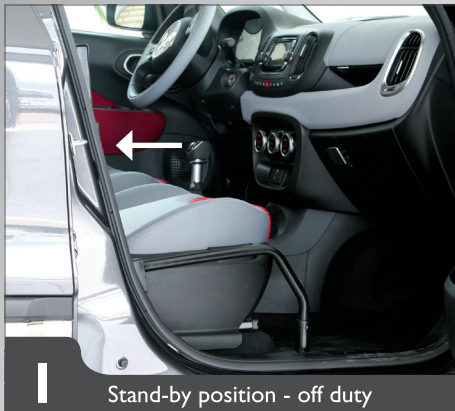


SAFE AND SUITABLE FOR SEVERAL VEHICLES

TURBO SLIDE can be fitted on a wide range of vehicles using the same anchor points of the original seats, without structural modification to the car.

TURBO SLIDE can be installed on both passenger side and driver side and thanks to rotation feature it allows an easy access to both front and rear seats.

TURBO SLIDE is very easy to use and nicely integrated with the vehicle's interior.



1 Stand-by position - off duty



2 Stand-by position - on duty



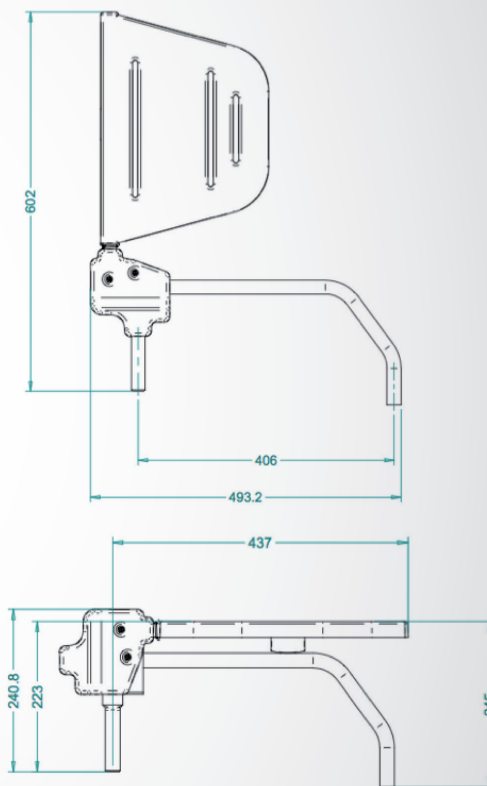
3 Operation position

3 SIMPLE STEPS

TURBO SLIDE eases transfer from and to the wheelchair. It is adaptable to several types of vehicle with 3 or 5 doors. The rotation feature of TURBO SLIDE allows to easily stow it beside the seat.



watch the video online



TURBO SLIDE was designed to offer maximum help to users as well as ease of installation on both new and second-hand vehicles. This innovative Transfer Plate nicely blends with vehicle's interiors with no need to drill, weld or modify vehicle's structural parts.

Available for both sides of the car

TECNICAL DATA

Max load capacity	120 Kg
Width	493 mm
Height	245 mm
Weight	6 Kg



FOCACCIA GROUP
AUTOMOTIVE



FOCACCIA GROUP
COMPONENTES AUTOMOTIVOS



fiorella
wheelchair systems

SS16 KM172 48015 CERVIA (RA) ITALY
T +39 0544 973669 | F +39 0544 977232
INFO@FOCACCIA.NET

WWW.FOCACCIAGROUP.COM | WWW.FOCACCIAGROUP.COM.BR | WWW.FIORELLA.WS

FOLLOW US ON

